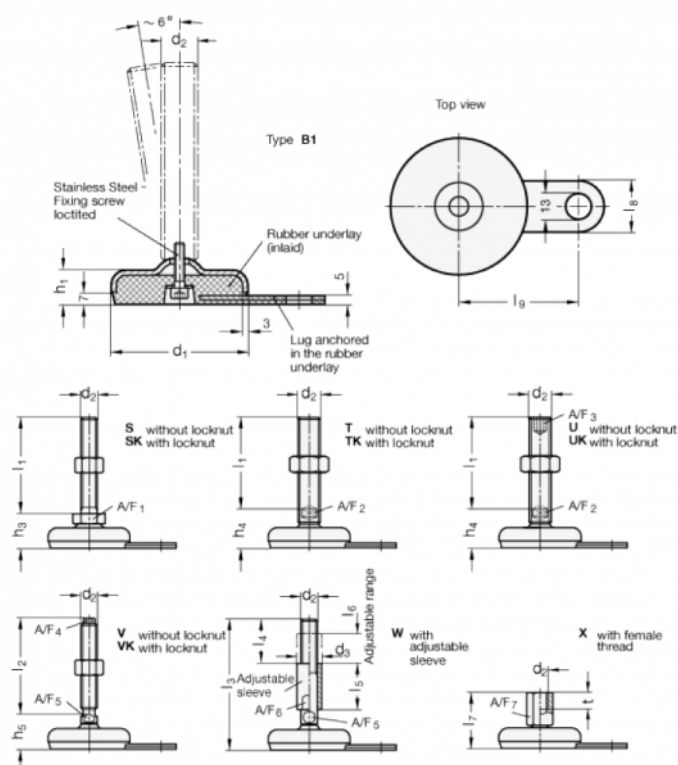


Article number: 2033100M1675B1VK

Description: E+G levelling foot
GN 33-100-M16-75-B1-VK, Stainless steel

Note: VK With nut, External hexagon at the top, Wrench flat at the bottom

Measures



A/F4 = 10

l9 = 80

A/F5 = 12

d_1 = 100

d_2 = M16

h_1 = 21

h_4 = 32

l2 = 75

l8 = 30